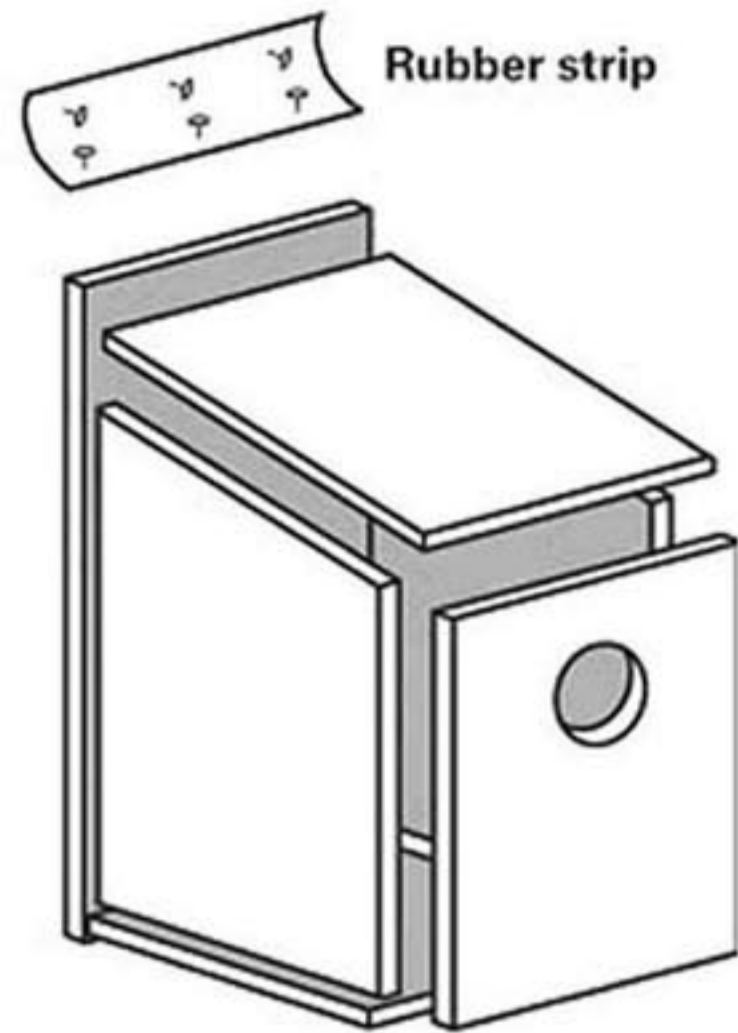
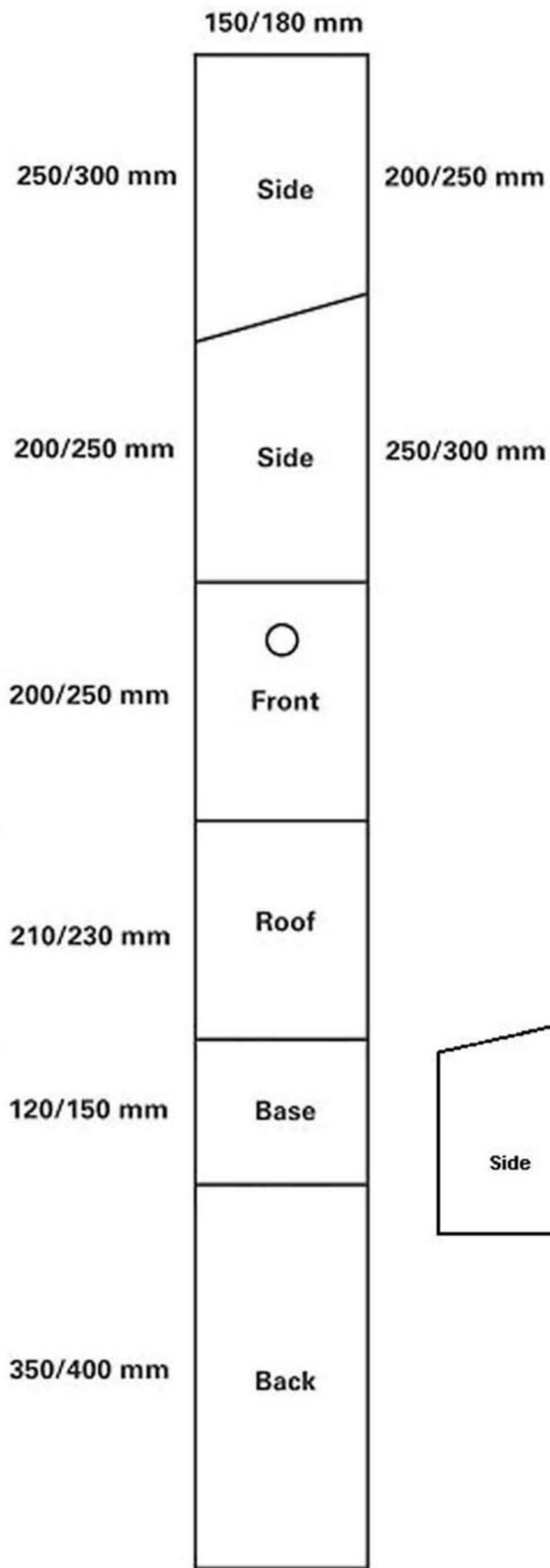
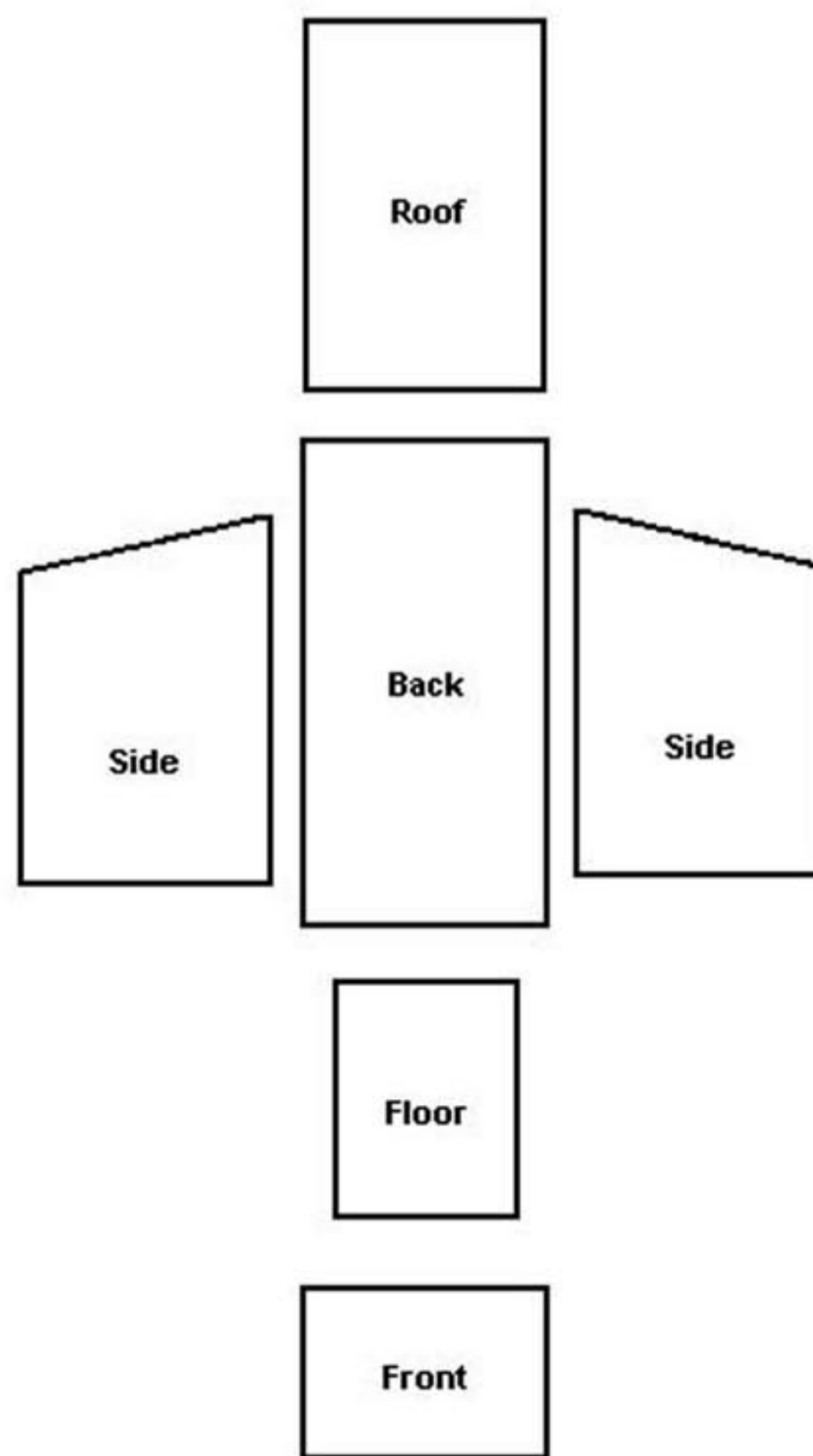


# Building Nest Boxes

Use only untreated wood – tanalised wood is unsuitable. Don't use any type of wood preservative or paint. Fixing the box with nails or screws can damage trees so attach the box with wire round the trunk or branch – use a protector i.e. a piece of hose over the wire. Check for damage from the wire yearly.



A metal plate fixed around the entrance hole will deter woodpeckers and squirrels and barbed wire above and below the box may give some protection against cats.



Open-fronted box

